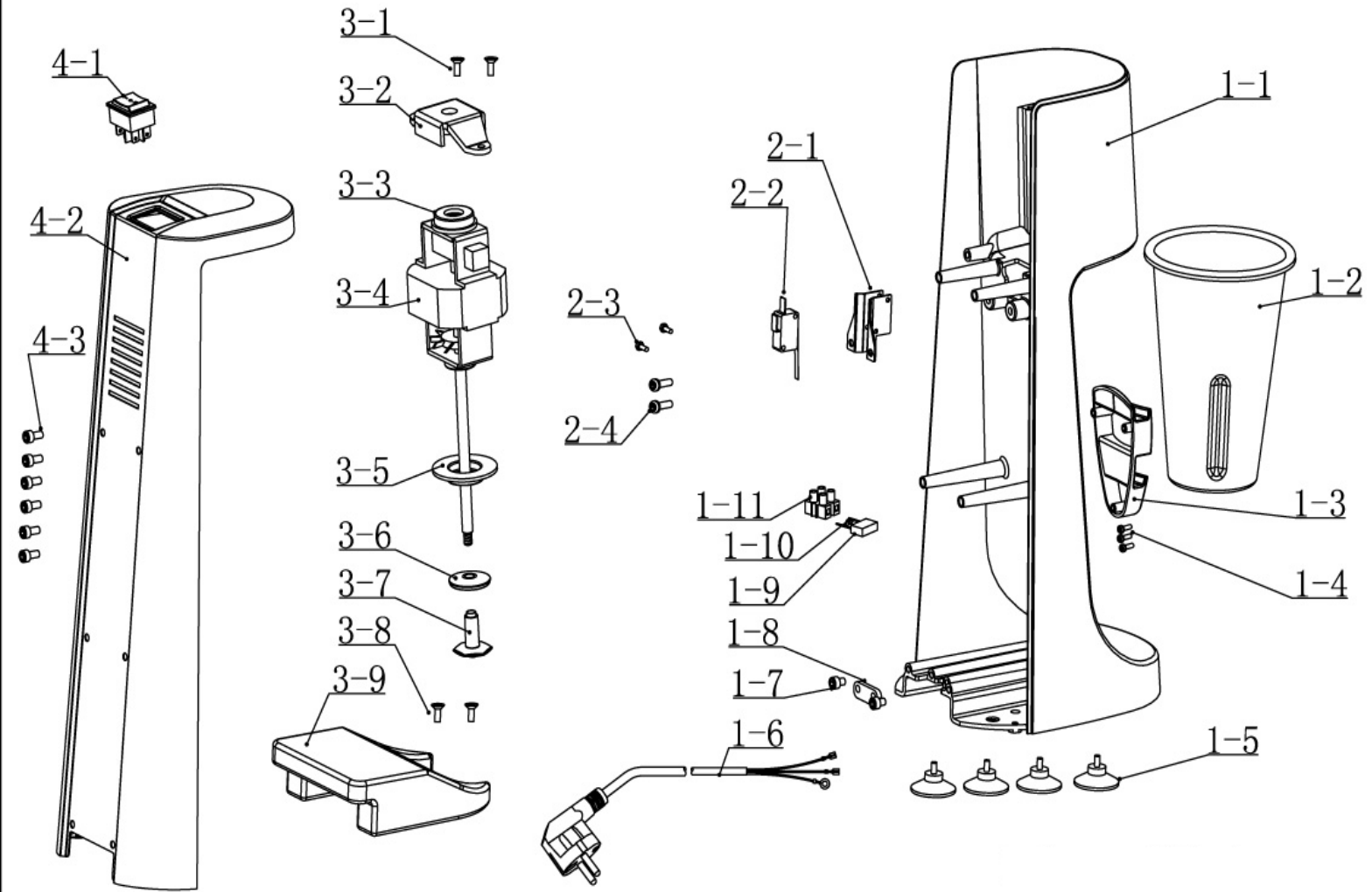


Exploded Diagram - CK0097



Sequence No.	Part No.	(Name)	(Quantity)
1-1.	DM-A-1001	Base Seat	1
1-2.	DM-A-1005	Cup	1
1-3.	DM-A-1004	Cup-bracket	1
1-4.	LA*GB/T/M4×14 自攻钉	self-tapping screw 4×14	3
1-5.	DM-A-1003	Underlay	4
1-6.	LA*DXE0201	Power Cord	1
1-7.	LA*GB/T 818 M5×10	Bolt M5×10	2
1-8.	DM-A-1007	Power Cord Holder	1
1-9.	ELEDLJ2	Capacitance 0.22 μF	1
1-10.	RT1/4W1MΩ	Resistance 1MΩ	1
1-11.	ELEPA10	Terminal block PA10	1
2-1.	DM-A-2110	Microswitch Holder	1
2-2.	LA*DMC-series-F	Microswitch	1
2-3.	LA*GB/T 818 M3×14	Bolt M3×14	2
2-4.	LA*GB/T 818 M5×10	Bolt M5×10	2
3-1.	LA*GB/T 818 M5×10	Bolt M5×10	2
3-2.	DM-A-1008	Motor-Holder	1
3-3.	DM-A-1009	Rubber Cushion	1
3-4.	LA*7030.23	Motor	1
3-5.	DM-A-1010	Rubber Cushion	1
3-6.	DM-A-1101	Upper Agitator	1
3-7.	DM-A-1102	Under Agitator	1
3-8.	LA*GB/T 818 M5×10	Bolt M5×10	2
3-9.	DM-A-1011	Aggravater	1
4-1.	LA*BRQ-series	Switch	1
4-2.	DM-A-1002	Back Cover	1
4-3.	LA*GB/T 70.2 M5×6	Bolt M5×6	6